

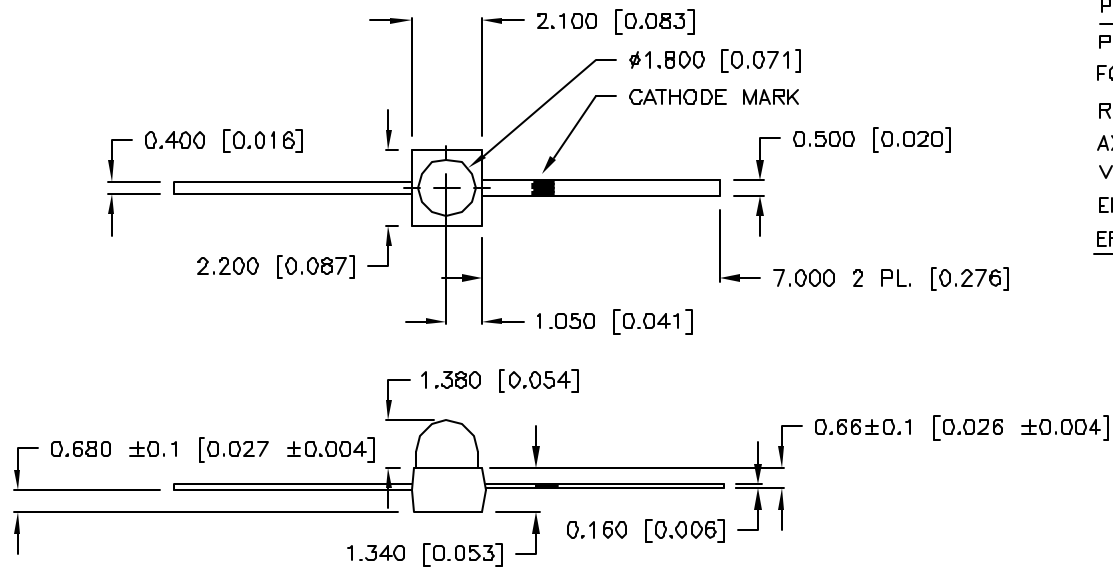
DATE

REVISIONS

REV

DRAWING NUMBER  
SSL-LXA227ID-5V

REV

ELECTRO-OPTICAL CHARACTERISTICS TA=25 °C I<sub>f</sub>=20mA

PARAMETER	MIN	TYP	MAX	UNITS	TEST COND
PEAK WAVELENGTH		635 (RED)		nm	
FORWARD VOLTAGE		5.0	7.0	V <sub>f</sub>	
REVERSE VOLTAGE	5.0			V <sub>r</sub>	I <sub>r</sub> =100μA
AXIAL INTENSITY		8		mcd	I <sub>f</sub> =20mA
VIEWING ANGLE		60		2x theta	
EMITTED COLOR:	RED				
EPOXY LENS FINISH:	RED DIFFUSED				

## LIMITS OF SAFE OPERATION AT 25 DEG. C

PARAMETER	MAX	UNITS
PEAK FORWARD CURRENT *	160	mA
STEADY CURRENT	30	mA
POWER DISSIPATION	100	mW
DERATE FROM 25 °C	-1.2	mW/°C
OPERATING, STORAGE TEMP.	-40 TO +85	°C
LEAD SOLDERING TEMP.	+260	°C
2.0mm FROM BODY		3 SEC. MAX

\* t&lt;10μs

## RELIABILITY NOTE:

OUR MANY YEARS OF EXPERIENCE DATA ACCUMULATION INDICATE THAT SOLDER HEAT IS A MAJOR CAUSE OF EARLY AND FUTURE FAILURE. PLEASE PAY ATTENTION TO YOUR SOLDERING PROCESS.

**LUMEX**  
OPTO COMPONENTS INC.

292 E. HELLEN ROAD  
PALATINE, ILLINOIS 60067  
(708) 359-2790

DATE: 7-12-95

APPROVED BY:

DRAWN BY:

SCALE: N/A

AXIAL LED, RED DIFFUSED. WITH INTEGRAL 5V RESISTOR

PAGE 1 OF 1

DRAWING NUMBER

SSL-LXA227ID-5V

REV

LXA223AK